

NOW AVAILABLE

Stands, Duct Extensions and Wall Sleeves



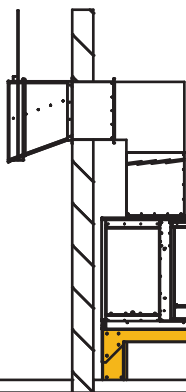
SAFETY YELLOW



GRAY

Pre-Fabricated Stands dramatically reduce installation times.

Instead of trying to create a custom solution from scratch, you now have the option to order and install heavy-duty stands that are specifically designed to support any Cambridge Engineering S-Series or M-Series unit. No field cutting and no rework is required. Stands are designed for both indoor and outdoor installations.

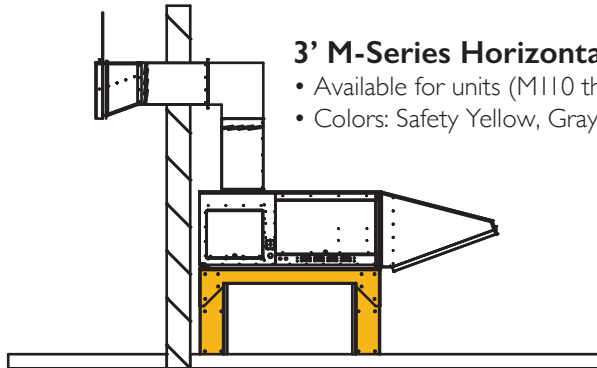


2' M-Series Horizontal Stand

- Available for units (M110 through M140)
- Colors: Safety Yellow, Gray, and Unpainted

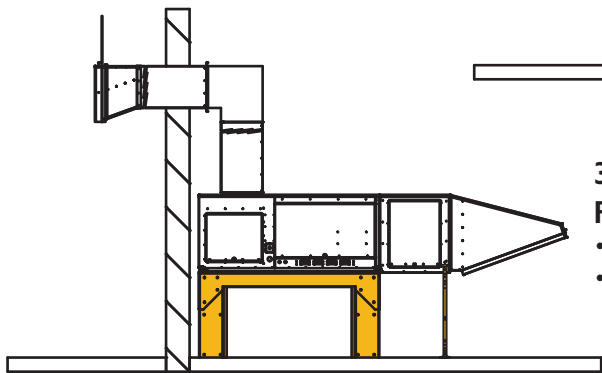
3' M-Series Horizontal Stand

- Available for units (M110 through M140)
- Colors: Safety Yellow, Gray, and Unpainted



3' Adjustable M-Series Stand with Filter Section Support

- Available for units (M110 through M140)
- Colors: Safety Yellow, Gray, and Unpainted



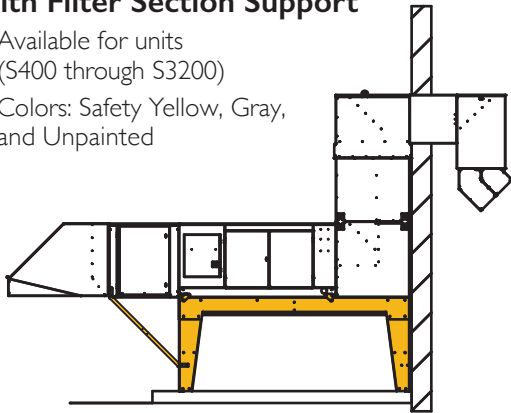
To learn more about our heavy-duty stands:
www.cambridge-eng.com/vertical-horizontal-stands



S-Series HTHV Heaters • SA-Series HTHV Heaters • M-Series Makeup-Air Units

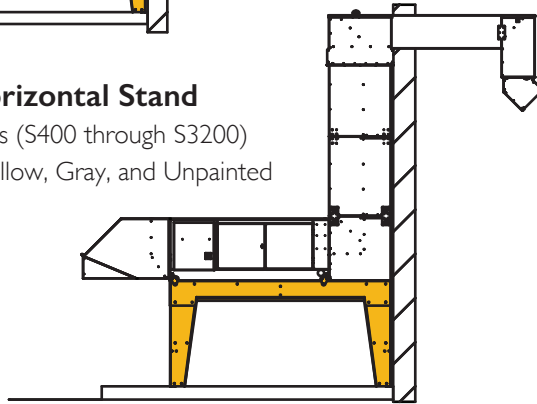
4' S-Series Horizontal Stand with Filter Section Support

- Available for units (S400 through S3200)
- Colors: Safety Yellow, Gray, and Unpainted



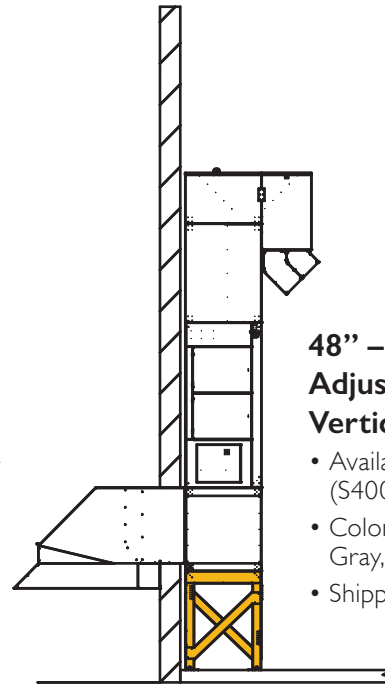
4' S-Series Horizontal Stand

- Available for units (S400 through S3200)
- Colors: Safety Yellow, Gray, and Unpainted



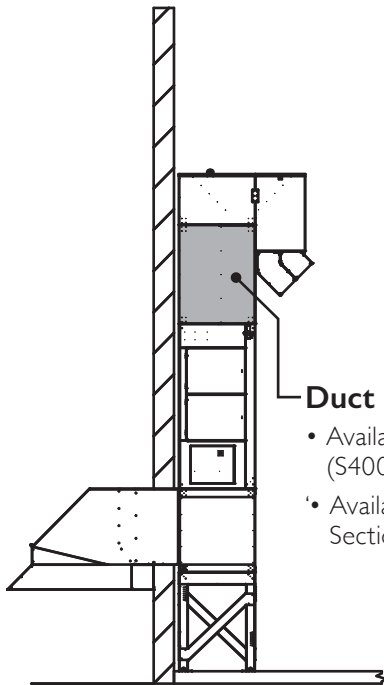
48" – 54" Adjustable S-Series Vertical Stand

- Available for units (S400 through S3200)
- Colors: Safety Yellow, Gray, and Unpainted
- Shipped Pre-Assembled



Duct Extensions and Wall Sleeves simplify any installation.

Our new line of duct extensions and wall sleeves make custom installations easier and faster to complete which keeps labor costs under control.

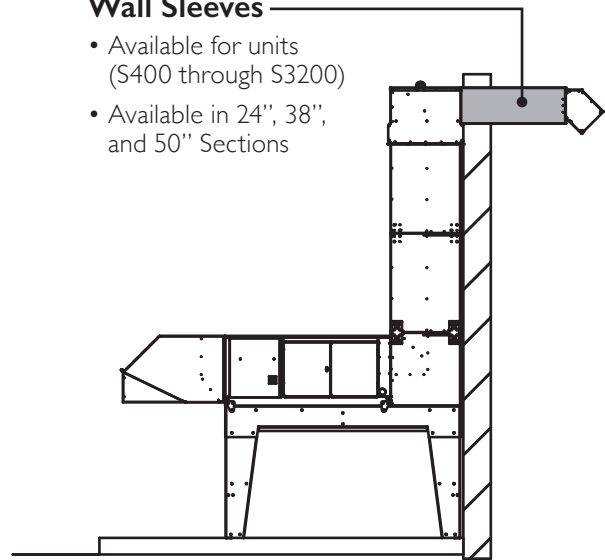


Duct Extensions

- Available for units (S400 through S3200)
- Available in 3', 4', and 5' Sections

Wall Sleeves

- Available for units (S400 through S3200)
- Available in 24", 38", and 50" Sections



To learn more about our heavy-duty stands:
www.cambridge-eng.com/vertical-horizontal-stands



S-Series HTHV Heaters • SA-Series HTHV Heaters • M-Series Makeup-Air Units